



St. Joseph/St. Robert School Newsletter

**FROM THE DESK OF MRS.
DURKIN**

October 9, 2024

During this busy week, let's remember, "I can do all things through Christ who gives me strength." Philippians 4:13

Dear SJR Families,

This month at SJR, we are highlighting two beautiful Catholic traditions. As we celebrate the Month of the Holy Rosary, classes will be praying the rosary throughout October. On the afternoon of October 29th, we will hold a school-wide rosary recitation, led by students from our SJR Today news studio. We invite students and families to submit prayer intentions for this event. A box is available in the school entryway for your intentions. Please discuss any age-appropriate family needs or expressions of gratitude with your child, jot them down on a small slip of paper, and have your child fold it and place it in the box. Rest assured that these intentions will remain private. We will pray for "all of our school intentions submitted in our rosary box this month."

As we approach November, we will also honor All Saints (November 1st) and All Souls (November 2nd). In preparation for the Feast of All Souls, which commemorates all the faithful departed, we will create a Wall of Remembrance. If your family has lost a loved one, please work with your child to write their name on one of the candles on the template below and decorate it. Kindly send it to school, and we will display it to keep all our faithful departed in our prayers throughout November.

Prayer is a powerful tool, and participating in these activities while remembering your loved ones and intentions at home serves as a wonderful example of faith.

Thank you, again, for all you do for our school and for choosing Catholic education for your child!

Gratefully,
Mrs. Durkin





School News!

Service Corp Installation:

On Friday after Mass, our Service Corp will be installed for this school year. Service is an important part of what we learn here at SJR - it is a way that we bless others and are blessed in return.

Patron Award:

Our first ever Patron Award recipients will be announced this Friday at the end of Mass when we recognize four students who displayed in a special way the virtue of “Welcoming” during the month of September. We are excited about this opportunity to learn about the virtues of our patrons, St. Joseph and St. Robert, and how we can display those same virtues in our daily life.

The virtues your child is learning about this month are Obedience and Fidelity. Those awards will be distributed at Mass on Nov. 9th.

The Fab Lab:

The students in grades 1-8 are enjoying the coding and robotics lessons presented by Mr. Hayden from The Bucks County IU. It's great to see them engaged in fun activities that foster critical thinking, creativity, and problem-solving skills while encouraging teamwork and perseverance!

Parent-Teacher Conference Sign Ups:

Please look for the sign up links this Sunday afternoon and be sure to select a time to meet with your child's teacher to discuss their progress to date. The sign up links will go out with the Sunday reminders on Sunday afternoon.





Home and School News

SJR CYO and HSA Golf Outing Thank You!!

A special thank you to our golf outing sponsors:

Event/Presidential Sponsors:

- Mastrocco Jr. Moving & Storage
- RidgePoint Financial Partners

Friends of Hawk Sponsors:

- M.A. Shimp Home Improvements
- Azuri Talent Partners

Beverage Sponsor:

- The Luyun Family

Registration Sponsor:

- Great Oak Investment Management

Putting Sponsors:

- MAC Medical Gas
- Wade Insurance
- Faulkner Cadillac

Upcoming Events:

Trunk or Treat, Oct. 18th: will be here before you know it! Please see the flyer below and mark your calendar for this spooky event!! A sign up genius was emailed so that you can rsvp and indicate if you will be decorating your trunk.

Halloween Dance for grades 4-6 is on 10/28:

See the flyer below for information on how to join in this fun Halloween tradition!

Hayride for Grades 7th-8th is on 10/28:

See the flyer below for details about this spooky SJR event held at Winding Brook Farm.






From the Director of Advanceent

It's hard to believe, but we're already gearing up for our Fall Open House for families interested in a placement for the 2025-2026! Join us on Sunday, October 20th, from 10:00 AM to 12:30 PM for a fantastic opportunity to explore all that our school has to offer.

Do you know someone who might be interested? Encourage them to reach out! They can call the school at 215-343-5100 to RSVP or register online at www.stjstr.org. We look forward to welcoming everyone and sharing the joy of our community!

EITC
Informational Webinars

Learn how to redirect your state tax dollars to support students in the Archdiocese and receive a 90% Tax Credit with the Educational Improvement Tax Credit (EITC) program.



Informational Webinar Dates

- ▶ Tuesday, September 10 at 1:00 PM
- ▶ Wednesday, September 25 at 10:00 AM
- ▶ Thursday, October 10 at 12:00 PM
- ▶ Monday, October 21 at 3:00 PM

[Click here to sign up for an upcoming webinar](#)



There are two more opportunities this month for you to learn how individuals and businesses can redirect their Pennsylvania state taxes to support students in our school.

Please contact me (kwilliamson@stjstr.org) for more information.



News from our Supporting Parishes

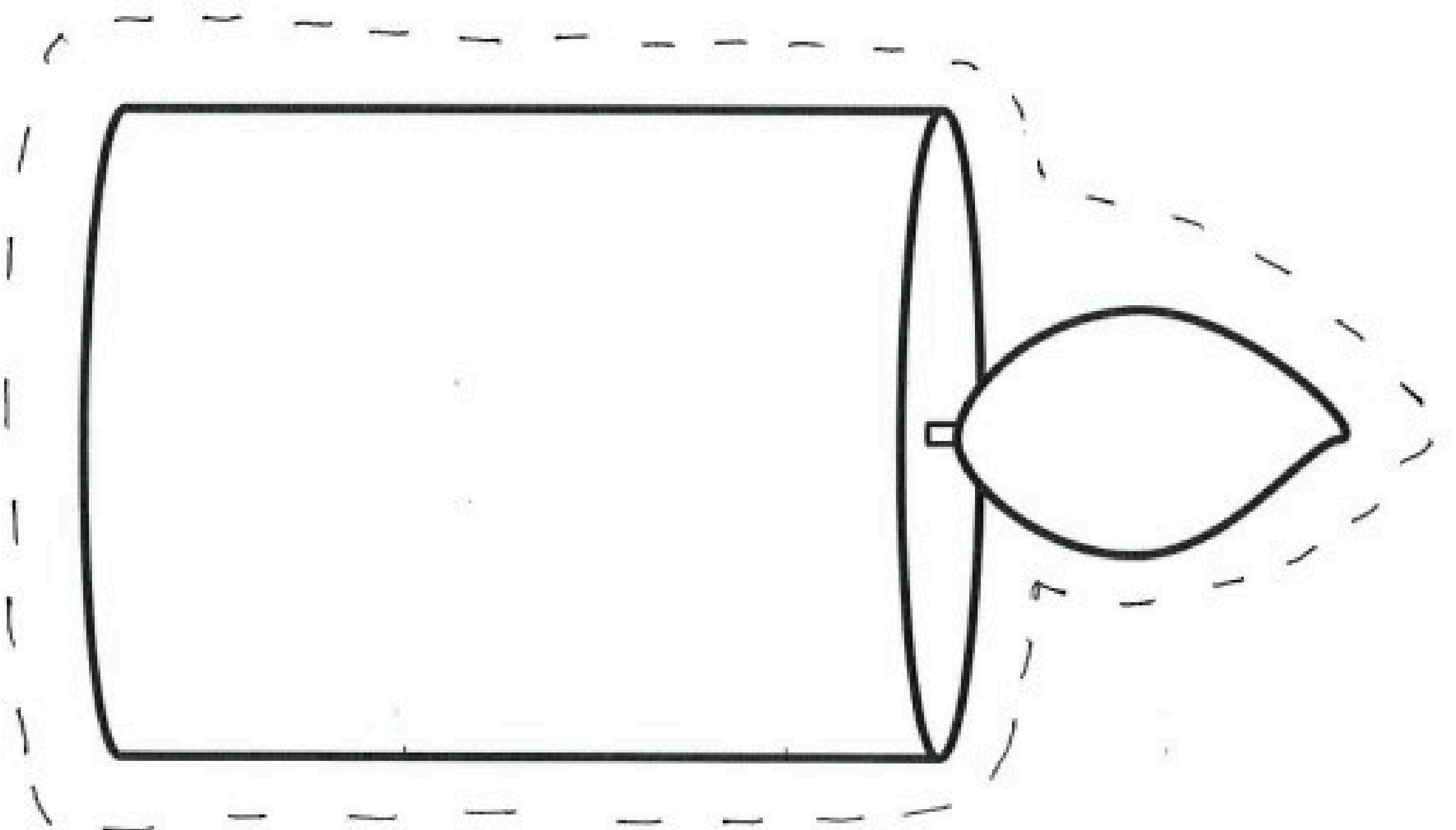
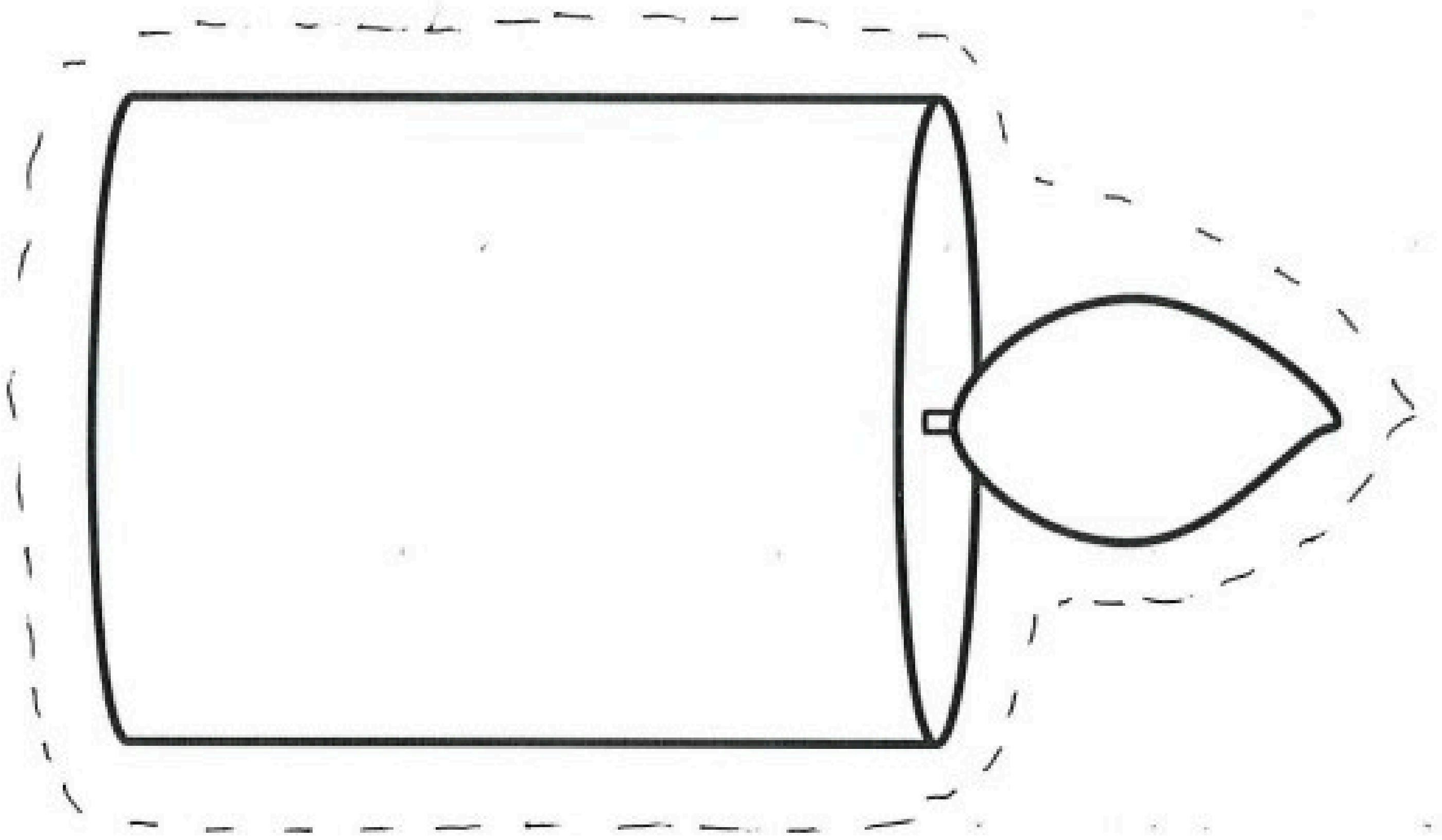
St. Joseph's

St. Joe's now has a new Coordinator of Religious Education. Mrs. Danielle Staffieri will be assisting with coordinating the reception of First Penance, First Holy Communion, and Confirmation for those students who attend SJR and live in St. Joseph's parish. She will have more information about these special moments for our parish and your family and will share it with you as soon as she is settled in and up to speed.

St. Robert's

Beginning October 13th 9am Mass, St. Robert's will once again begin the Children's Liturgy of the Word. This is a wonderful program for children ages 4 through 10 to hear the Sunday readings on a level that will help them to understand them better and grow closer to our Lord. The priest will call them to exit the main church with volunteers to hear and discuss the readings together.

Candle Templates for All Souls' Wall of Honor



Presents the SJR 7th and 8th Grade Student



Haunted Hayride

SAT OCT 26th
7-10 PM

Winding Brook Farm 3014 Bristol Rd Warrington, PA
Wagon leaves promptly at 8:00 PM

\$25 per student*

*Includes Pizza and Drinks before hayride and S'mores after hayride

Discounted Rate for Cornwalk and Haymaze of Horror!

If you would like to add these attractions,
please include an additional \$12 to ticket price

Please send payment to school
via Keegan Kulp Grade 8 or VENMO @Lauren-Kulp-2

by Friday 10/18



4th, 5th, 6th Halloween Dance Party
Saturday October 26th 6:30-9:00 PM
Please fill out the below form if your child will be attending.

We ask that you please send in \$20 to help cover the costs for all the Spooky FUN!
Payments Accepted: Cash, Venmo @Kassandra-Palo or check payable to "SJR HSA" Please
return form by 10/23/24
To: Kassandra Palo
c/o Samantha Palo 5th Grade
(Gentle Reminder: Please be sure costumes are school appropriate, Thank You!)



Student Name:

Grade:

Student Name:

Grade:

Paying via? (pls circle one)

Venmo

Cash

Check



FRIDAY, OCTOBER 18, 2024

5:30 P.M.-8:00 P.M.

SJR Parking Lot

Early Set up can begin at 4:30p.m.

Come Join us for SJR's Family Trunk or Treat!

Bring food, drinks & CANDY!!! Decorate those trunks, come in your best costumes and HAVE FUN! This event is for EVERYONE whether you decorate your trunk or not!!

PRIZES will be given for **BEST** costumes as well as **BEST** decorated trunks!

\$20 ENTRY FEE FOR DECORATING YOUR TRUNK ONLY!

(spots with electricity will be limited so please bring extra extension cords)

In order to run this event as safely as possible:

- Please bring store brought, individually wrapped Candy or Treats
- There must be someone at the vehicle at all times to hand out candy

RSVP by the Signup Genius link at

<https://www.signupgenius.com/go/805084CA4A92FABF58-51360554-sjrtrunk>

If you are Decorating a Trunk after you RSVP you can send cash or check(made payable to SJR HSA) to

Nikki DeGuida e/o Aiden DeGuida 4th Grade **OR**

By VENMO @SJR-HSA (be sure to put Trunk or Treat in the Comment Section)

\$20 per vehicle

Parking Spots will be assigned and spot assignments will be in the Newsletter on Wednesday, October 16th.

All RSVP's and payments are due by

FRIDAY, OCTOBER 11, 2024

E.A.G.L.E.S...EAGLES!



EAGLES GAMEDAY RAFFLE

\$25 PER ENTRY

4 CLUB LEVEL TICKETS

H-LOT PARKING

SUNDAY, NOVEMBER 3, 8:20 PM

VS. JACKSONVILLE JAGUARS

VALUED OVER \$1,000

PROCEEDS SUPPORT THE IMPLEMENTATION OF SJR'S NEW READING PROGRAM

Complete the attached form and send
to Kate Moyer

OR

Venmo @SJR-HSA

List your first & last name in the
comment

Drawing October 11, 2024

Checks made out to SJR HSA



EAGLES RAFFLE

Complete this form and return to SJR Attn: Kate Moyer.
The drawing will take place via Facebook Live on Friday,
October 11th.

\$25 an entry

Please make checks out to SJR HSA.

Family Name: _____

Number of Entries: _____

Amount Enclosed: _____